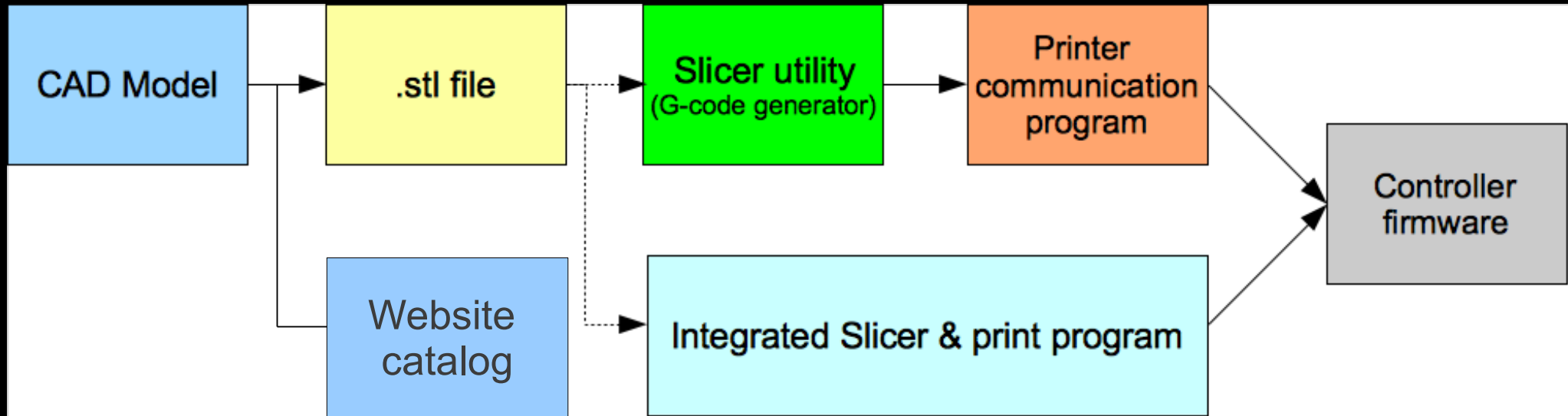


Idea → Instructions → Object



Download Objects

Thingiverse.com

Google.com/3dwarehouse

Hangar.openvsp.org

123dapp.com/Gallery

3dvia.com

ThePiratebay.se/browse/605

Design Objects

<http://3dtin.com>

<http://tinkercad.com>

Sketchup

Winds3d, FreeCAD, qCAD

Autodesk 123D, NetFab

Blender

OpenSCAD